



Analog mammography unit from FUJIFILM, the world's first supplier of CR system, offers excellent imaging quality and smooth workflow

AMULET FELICIA

FUJIFILM Analog Mammography

FCR PRIMA Tm

- Space-Saving Design
- High-Speed Processing
- High-Quality Mammography Images

Capsula X-L II

AMULET FELICIA, a most effective step towards digital mammography in combination with FCR

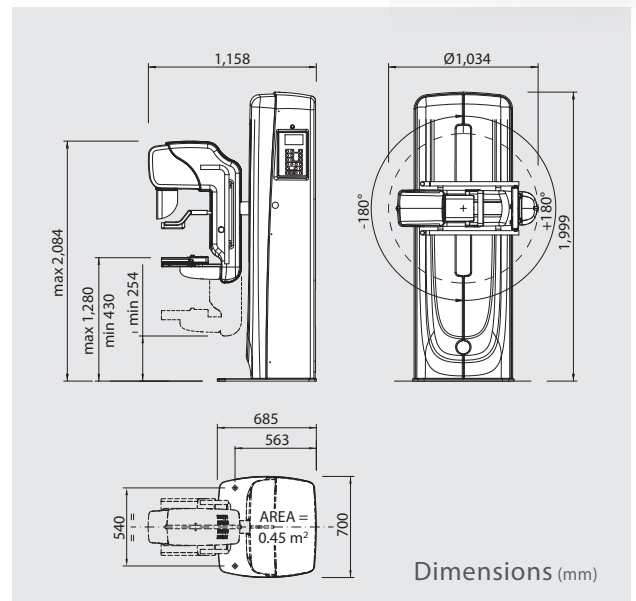
The optimal solution consisting of FCR with 50µm resolution and analog mammography unit



Compact	Cost efficient	User friendly
<ul style="list-style-type: none"> • Small size and foot print 	<ul style="list-style-type: none"> • Economical • Stable 	<ul style="list-style-type: none"> • Sensitive temp control unnecessary • Easy operation

AMULET FELICIA specifications

Target/Filter	Mo/Mo, Mo/Rh(optional), W/Rh(optional)
Cassette Size	18x24, 24x30(optional)
SID	65cm
Dimensions(DxWxH)	1158 x 1034(max) x 1999 mm 1158 x 700(min) x 1999 mm
Weight	286kg
Nominal power	4.2 kW
Conditions	Temp +10 to +40 deg(Operating) Temp -20 to +70 deg(Storage and delivery)



Main options

- 24x30 system
- Magnification table
- Compression paddle for Mag
- Compression paddle for Spot
- Compression paddle for 2D biopsy

The appearance and specifications may be subject to change.
Please contact your sales representative for the details of regulatory information.

FCR Mammography system solution

IP Cassette	Type CH	DRY Imager	DRYPIX Smart/Plus	Mammography Viewer	Bellus/IBellus II
<p>24 x 30 cm 18 x 24 cm</p>	<p>24 x 30 cm cassette mounted with the cassette adapter</p>				

FUJIFILM

FUJIFILM Corporation

26-30, NISHIAZABU 2-CHOME, MINATO-KU, TOKYO 106-8620, JAPAN
<http://www.fujifilm.com/products/medical/>