

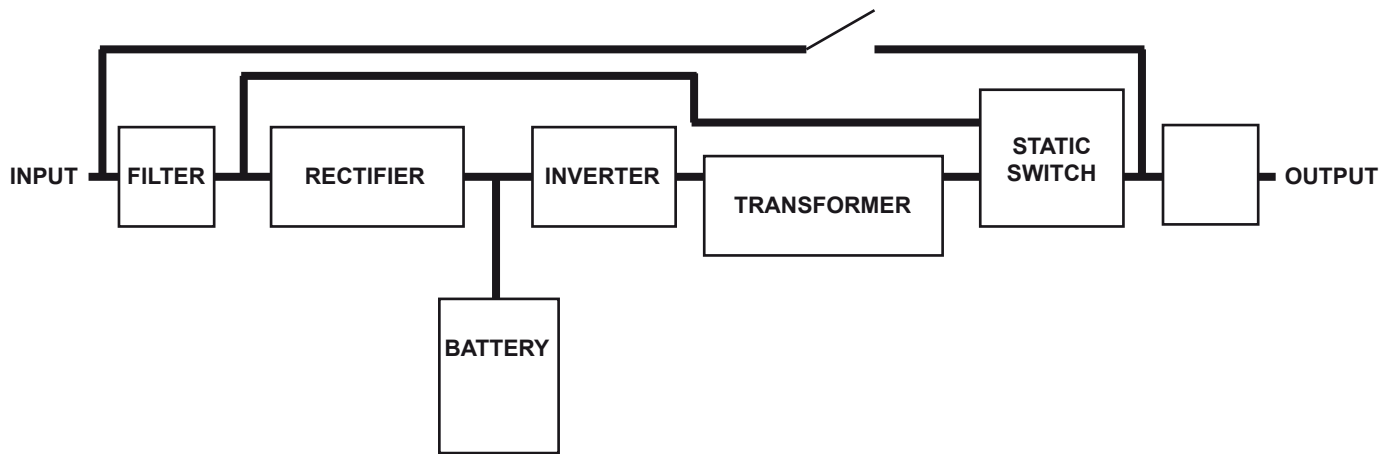
FT 33 SERIES UPS (10 - 400 KVA) Low Frequency



Characters true on line double conversion, zero sec. transfer time, intellectual blocking design, adopt advanced power apparatus IGBT, predominant SPWM inverter, MMBM intellectual multi-modes battery management and intellectual monitoring and management software. The super parallel capacity can extend on line parallel redundancy or N+1 redundancy parallel raising user investing ability. Optimize the investment on data center with high reliability, usability, management, extension, and lower maintenance fee.

Key Features and Benefits:

- True online double conversion design
- IGBT design and output isolation transformer
- Accurate synchronized utility system
- Reliable EMC features
- Static bypass, allows system to be bypassed for maintenance operations
- Allow 100% unbalance load
- Double DSP control
- 3x2 redundancy logic power design
- Wide input voltage range
- DC cold start function
- Full protection function (short circuit, overload, over temperature, low battery etc)
- Intelligent RS232/RS485 and dry connection interface, and flexible net project for monitoring via SNMP adapter (option)
- Advanced non-master-slave self adaptive parallel technology (option)
- Intelligent battery monitor system - MMBM (option)



MODEL	FT3310	FT3315	FT3320	FT3330	FT3340	FT3350	FT3360	FT3380	FT33100	FT33120	
Capacity	10KVA 9KW	15KVA 13.5KW	20KVA 18KW	30KVA 27KW	40KVA 36KW	50KVA 45KW	60KVA 54KW	80KVA 72KW	100KVA 90KW	120KVA 108KW	
INPUT											
Rated voltage	200 / 220 / 208 / 220Vac										
Voltage range	146 ~ 270Vac (166V - 250Vac full load)										
Rated frequency	50/60HZ										
Frequency range	50/60HZ ±5Hz										
Power factor	> 0.99										
Current distortion	< 5%										
Bypass voltage range	± 20%										
ECO voltage range	± 10%										
OUTPUT											
Voltage	200 / 220 / 208 / 220Vac										
Voltage regulation	± 1%										
Frequency	Synchronized with utility in AC mode; 50/60Hz ± 0.1% in battery mode										
Waveform	Sinusoidal										
Crest factor	3:1										
Total harmonic distortion (THDV)	< 1 % (linear load); < 5% (non-linear load)					< 2% (linear load); < 8% (non-linear load)					
Transfer time	Mains mode to battery mode: 0 ms Inverter mode to bypass mode: 0 ms ECO mode to Inverter mode: max. 10 ms										
Inverter overload capability	105% ~ 110%: transfer to bypass in 1 h 1 — 125%: transfer to bypass in 10 mins 125% ~ 150%: transfer to bypass in 1 min 150% ~ 200%: transfer to bypass in 200 ms > 200%: transfer to bypass in 100 ms										
Bypass overload capability	< 150%: long time running 150% < load < 200%: power off in 1 min > 200%: power off in 100 ms										
BATTERIES											
DC voltage	360V (default 12V x 30pcs, 28pcs ~ 32pcs settable)										
Inbuilt battery of standard model	Max. 60 x 12V/9Ah (optional external battery available)					External Battery					
Charger current	25A	25A	50A	75A	100A	100A	150A	150A	200A	200A	
SYSTEM											
Alarm	Battery mode, battery voltage low etc					Battery mode, battery voltage low, fans fault etc					
Surge protection	IEC 60664-1										
Insulation resistance	> 2M Ω (500Vdc)										
Dielectric strength	2820Vdc, No arc in 1min										
IP rating	IP20										
EMI	EN 62040-2										
EMS	IEC61000-4-2 (ESD)										
	IEC61000-4-3(RS)										
	IEC61000-4-4(EFT)										
	IEC61000-4-5 (surge)										
COMMUNICATIONS											
RS232/RS485/dry contacts (standard)	Supports Windows 98/2000/2003/XP/Vista/2008/7/8/10										
SNMP(option)	Power management from SNMP manager and web browser										
OTHERS											
Humidity	0~95% RH @ 0 ~ 40°C (non-condensing)										
Noise Level	65dB										
Dimensions (mm) W x D x H	500x800x1400			500x800x1600			600x800x1600			800x900x1800	
Packaged dimensions (mm) W x D x H	600x945x1575			600x945x1775			690x990x1670			890x990x1870	
Net / Gross weight (kg)	300/320	305/325	310/330	330/350	350/370	450/470	460/480	590/620	630/660	690/720	

• All specifications subject to change without notice.
 • Custom-made specifications are acceptable.

All specifications subject to change without notice.